

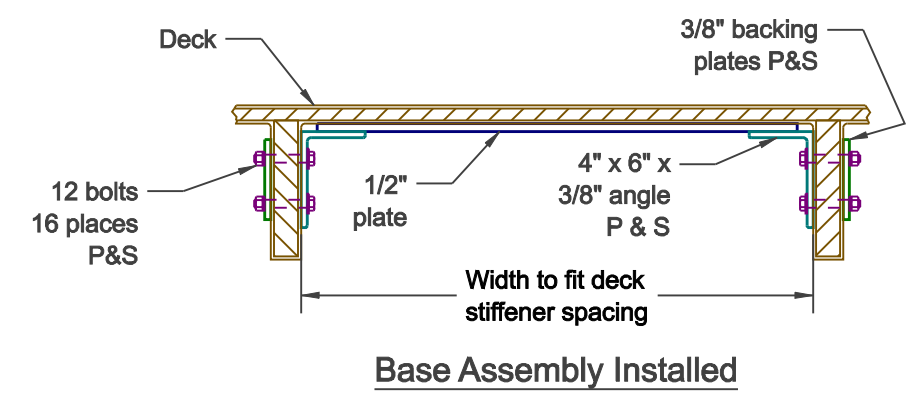
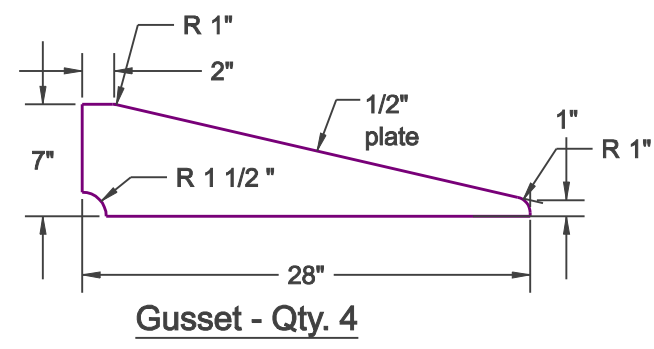
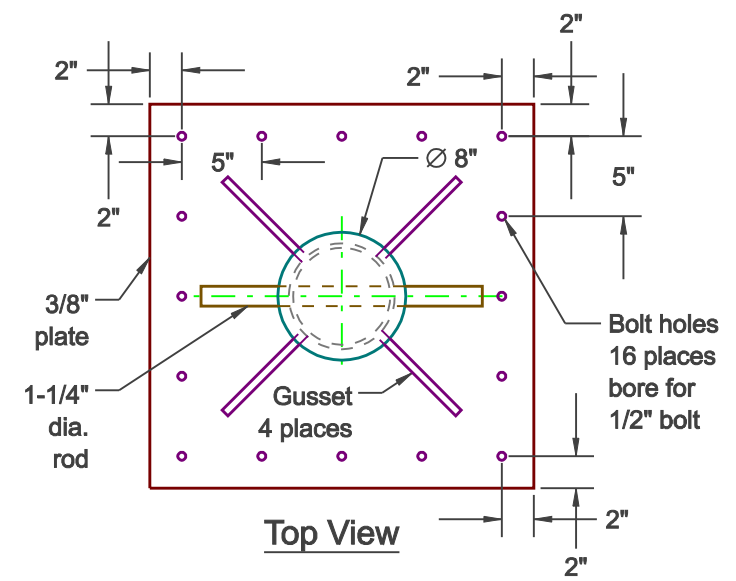
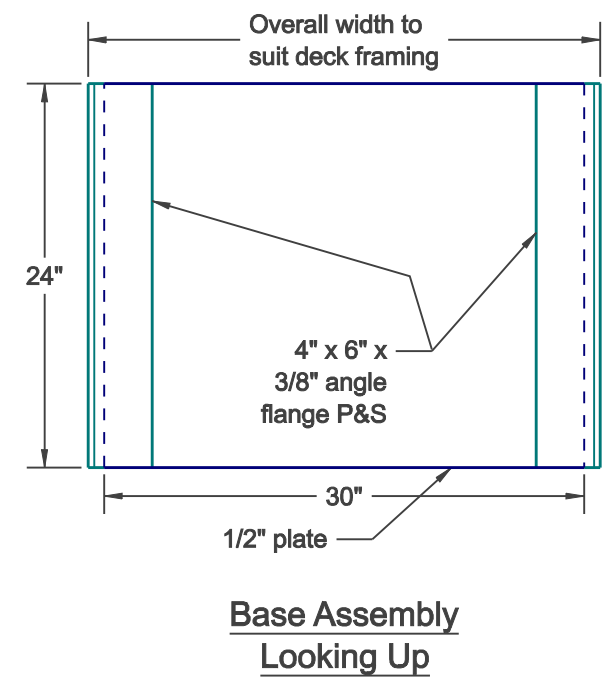
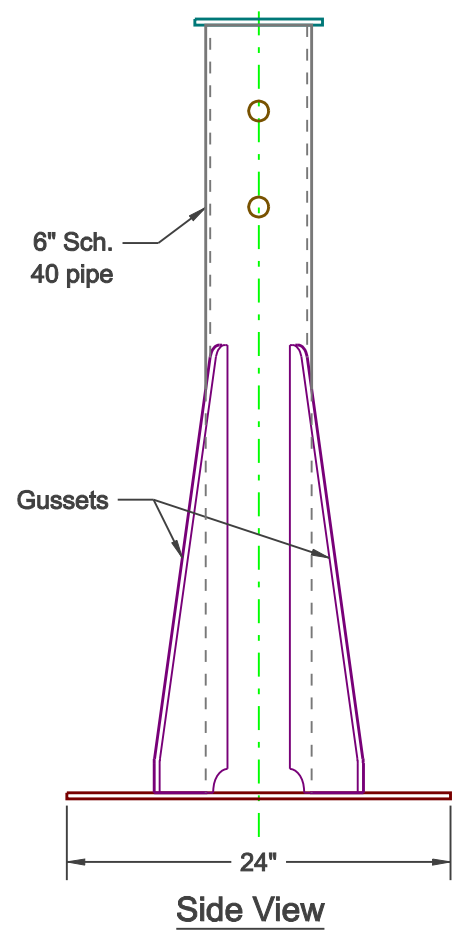
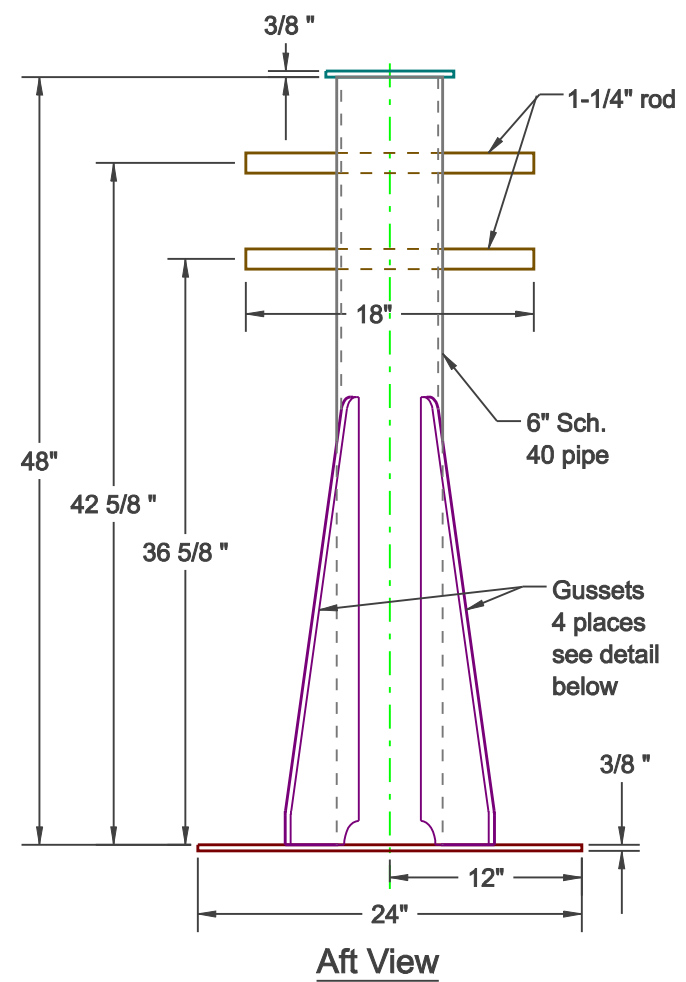


ME 7076D

LOAD-RITE



REVISIONS	BY	DATE



- Notes:
- 1) All materials to be 316L stainless steel.
  - 2) Weld size, type, and locations to be determined by fabricator to maintain full strength of materials.

<b>Tow Post Construction and Installation</b>				
<b>Allied Whale - College of the Atlantic</b>				
<b>Oak Hill Marine Design, LLC</b>				
PO Box 1266 Southwest Harbor, Maine 04679 (207) 244-9591				
SCALE	FILE NAME			
1 In = 1 Ft	Tow Post.dgn			
PLOT SIZE	DATE	DRAWN BY	DRAWING NO.	REV.
B - 17" X 11"	7 July 2004	S. Hudson	F0402-001	0

